



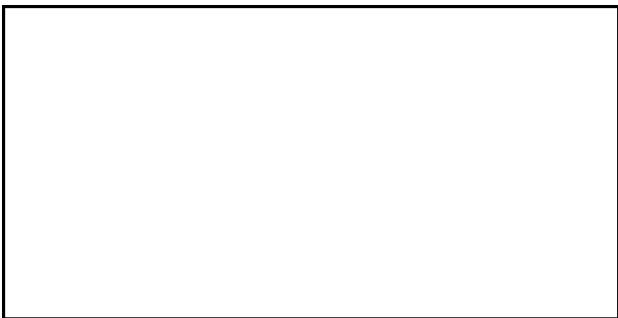
MEAT SLICER

SERVING THE FOOD INDUSTRY SINCE 1951

**12-INCH MANUAL VOLANO MEAT SLICER
WITH STANDARD FLYWHEEL**
Item: 46131 Model: MS-IT-0300-ME



*Built for durability and consistent slicing
Fully hand-operated*



Authorized Dealer



WARRANTY
PARTS AND LABOR



Intertek

MEAT SLICER

12-INCH BLADE MANUAL VOLANO MEAT SLICER



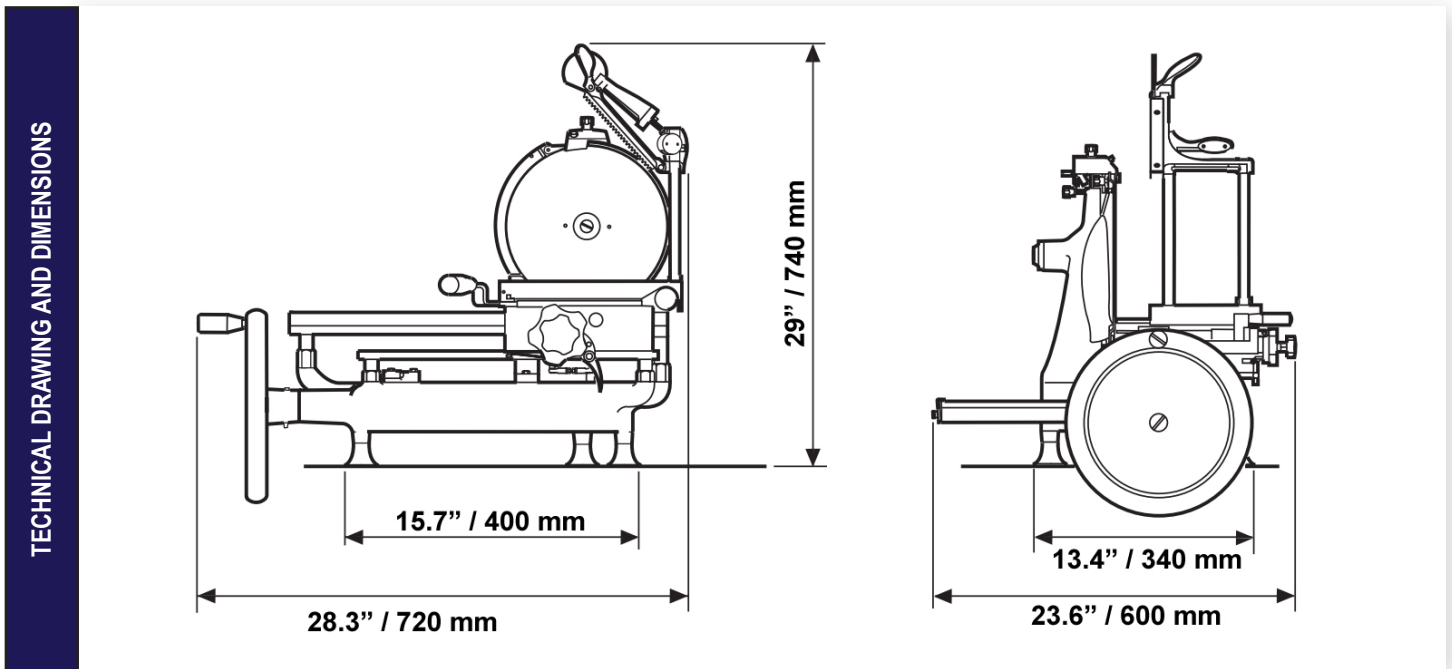
FEATURES

- Sturdy, durable and reliable
- Constructed of aluminum and steel parts with a fire-retardant painting
- Easy to operate and clean



TECHNICAL SPECIFICATIONS

ITEM NUMBER	46131
DESCRIPTION	MS-IT-0300-ME
BLADE SIZE	12" / 300 mm
CUTTING SIZE	9" x 7.5" / 228.6 x 190.5 mm
CUT THICKNESS RANGE	0 - 2.5 mm
DIMENSIONS	28.3" x 23.6" x 29" / 720 x 600 x 740 mm
NET WEIGHT	100.3 lbs. / 45.5 kg.



OMCAN INC.

Telephone: 1-800-465-0234
Fax: (905) 607-0234
E-mail: sales@omcan.com
Website: www.omcan.com



Follow us to keep up to date with the latest news and offers

